

FIG. 3.

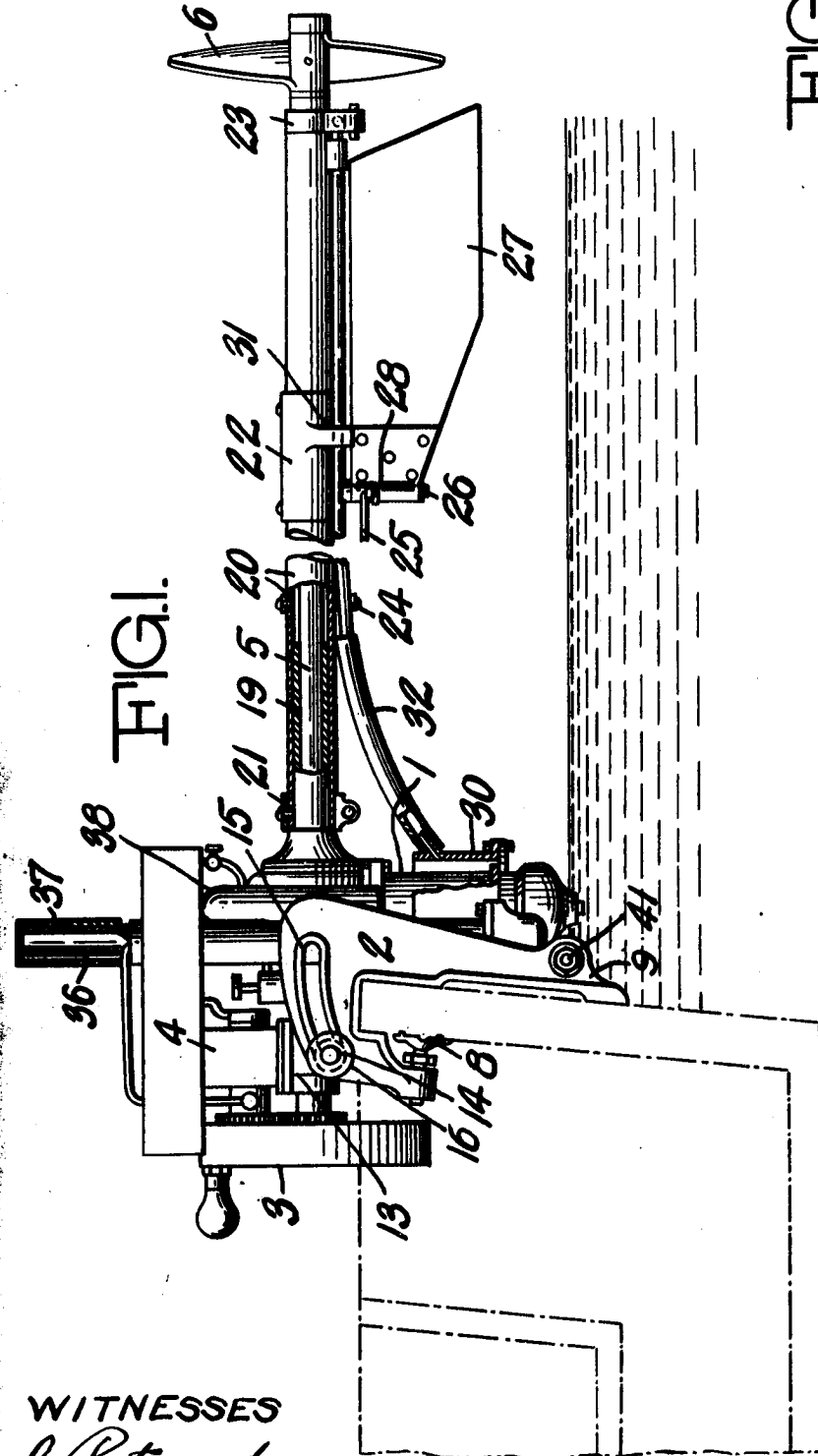


FIG. 1.

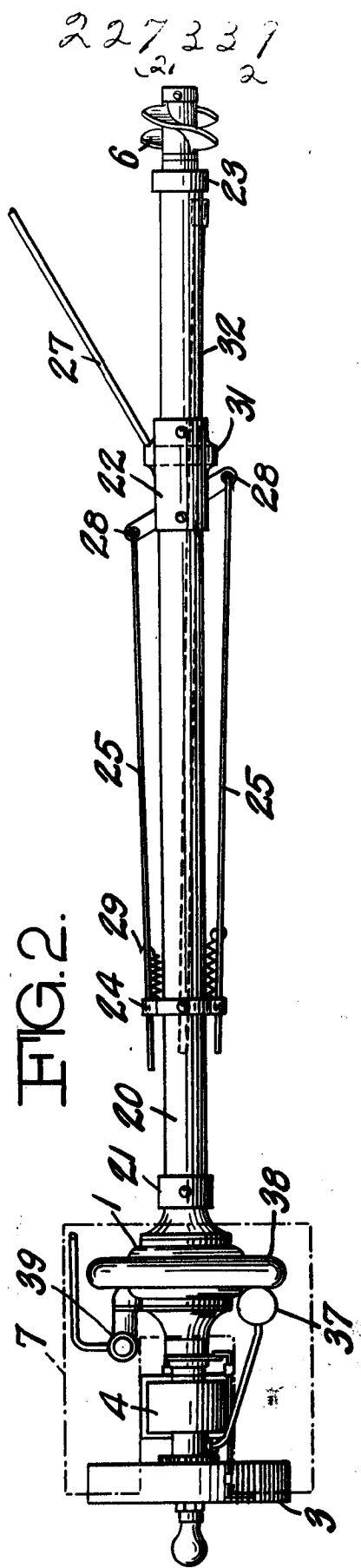


FIG. 2.

227337
2 2

WITNESSES
C. Patenaude
J. Beaudoin

CERTIFIED TO BE THE DRAWINGS
 REFERRED TO IN THE SPECIFICATION
 HERETO ANNEXED, MONTREAL
 NOVEMBER 8th, 1921.

INVENTOR
 H.W. Spencer
 By *Pigeon & Lymburner*
 Attys.

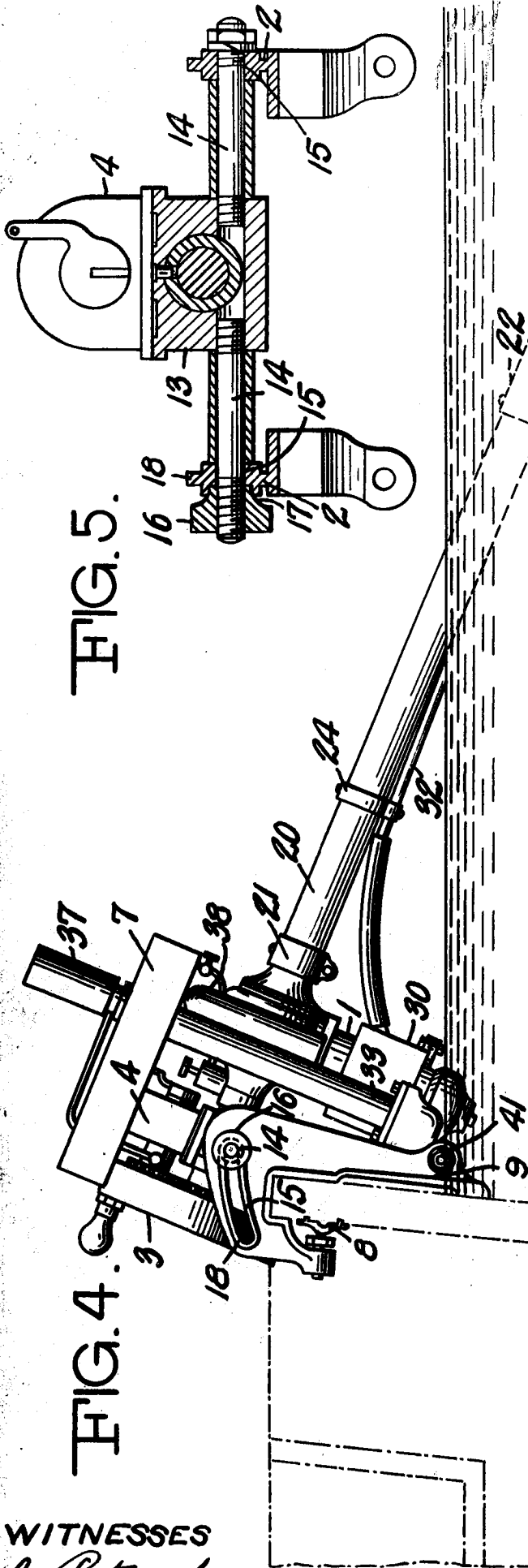


FIG. 5.

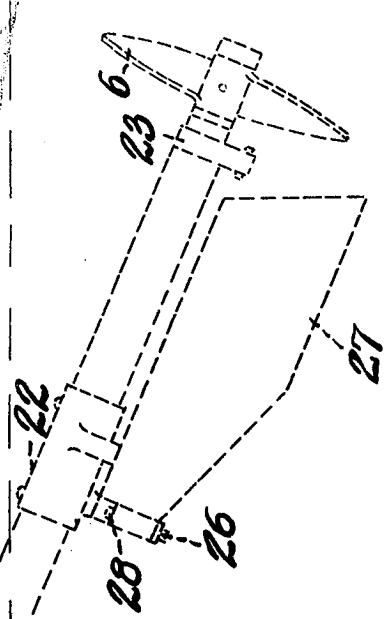
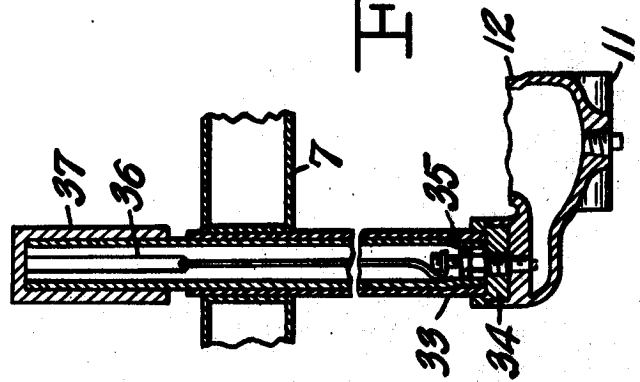


FIG. 6.



WITNESSES
L. Patenaude
L. Beaudoin

CERTIFIED TO BE THE DRAWINGS
 REFERRED TO IN THE SPECIFICATION
 HERETO ANNEXED, MONTREAL
 NOVEMBER 8th, 1921.

INVENTOR
 H.W. Spencer
 By
Pigeon & Burney
 Attys.